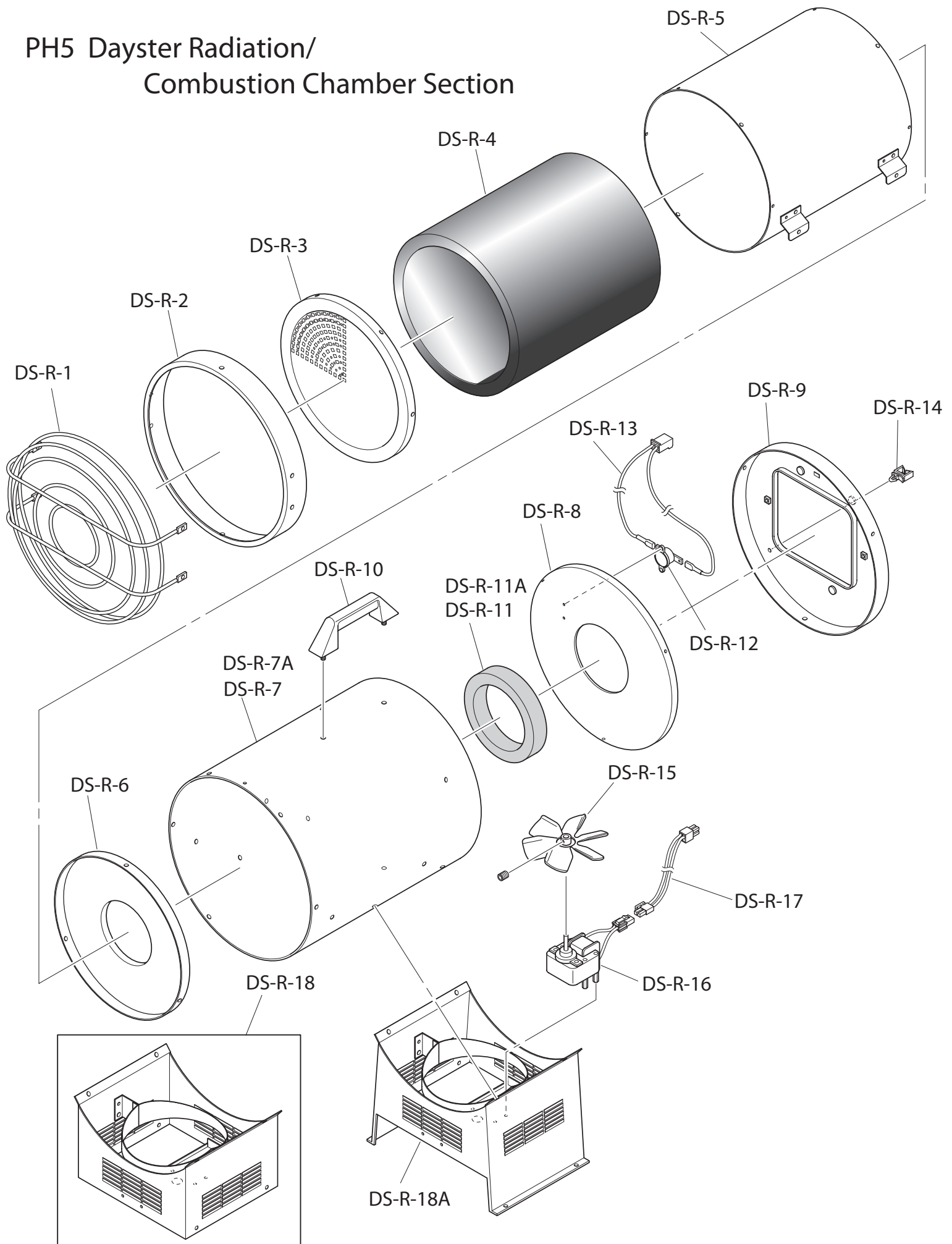
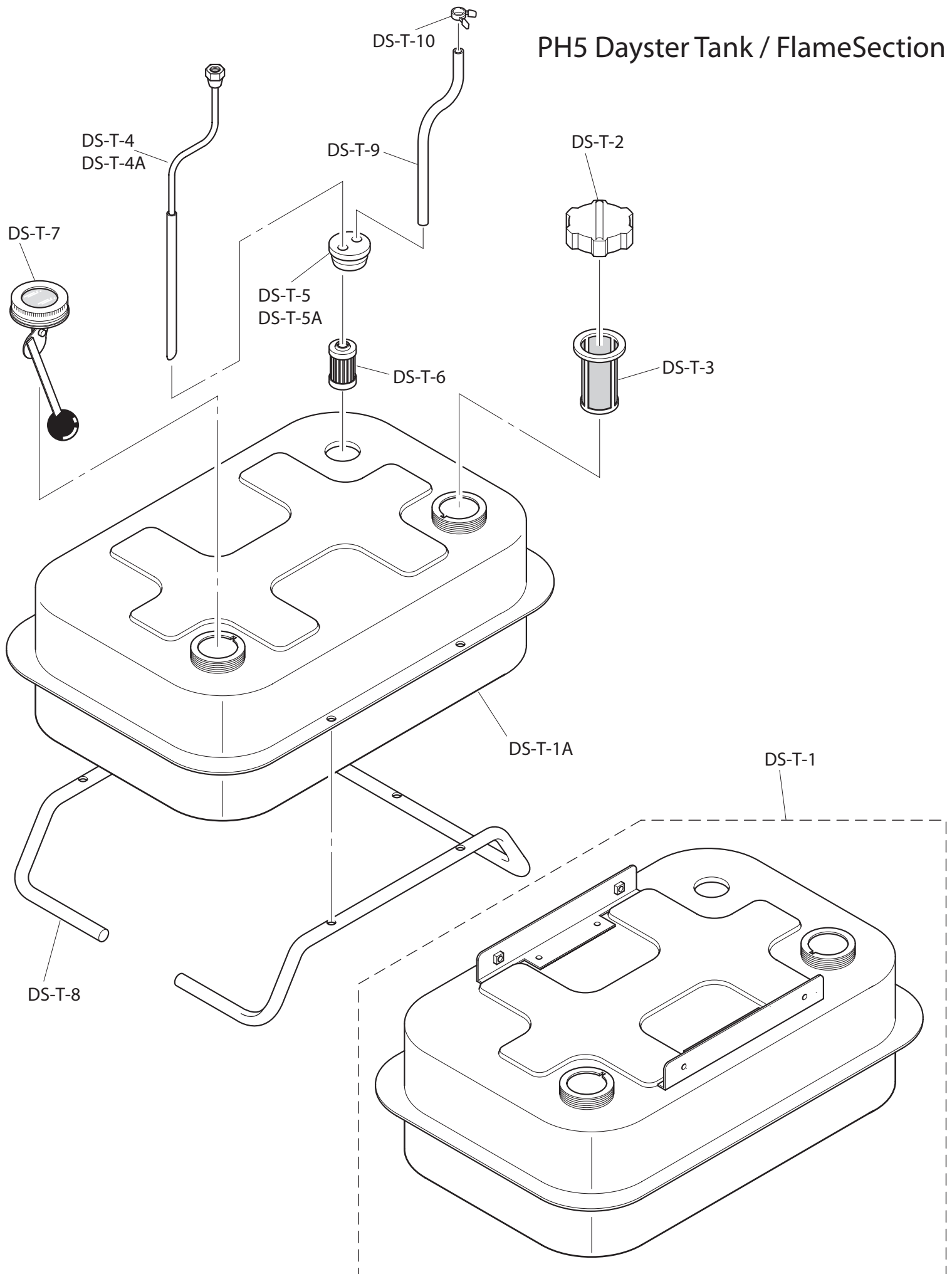
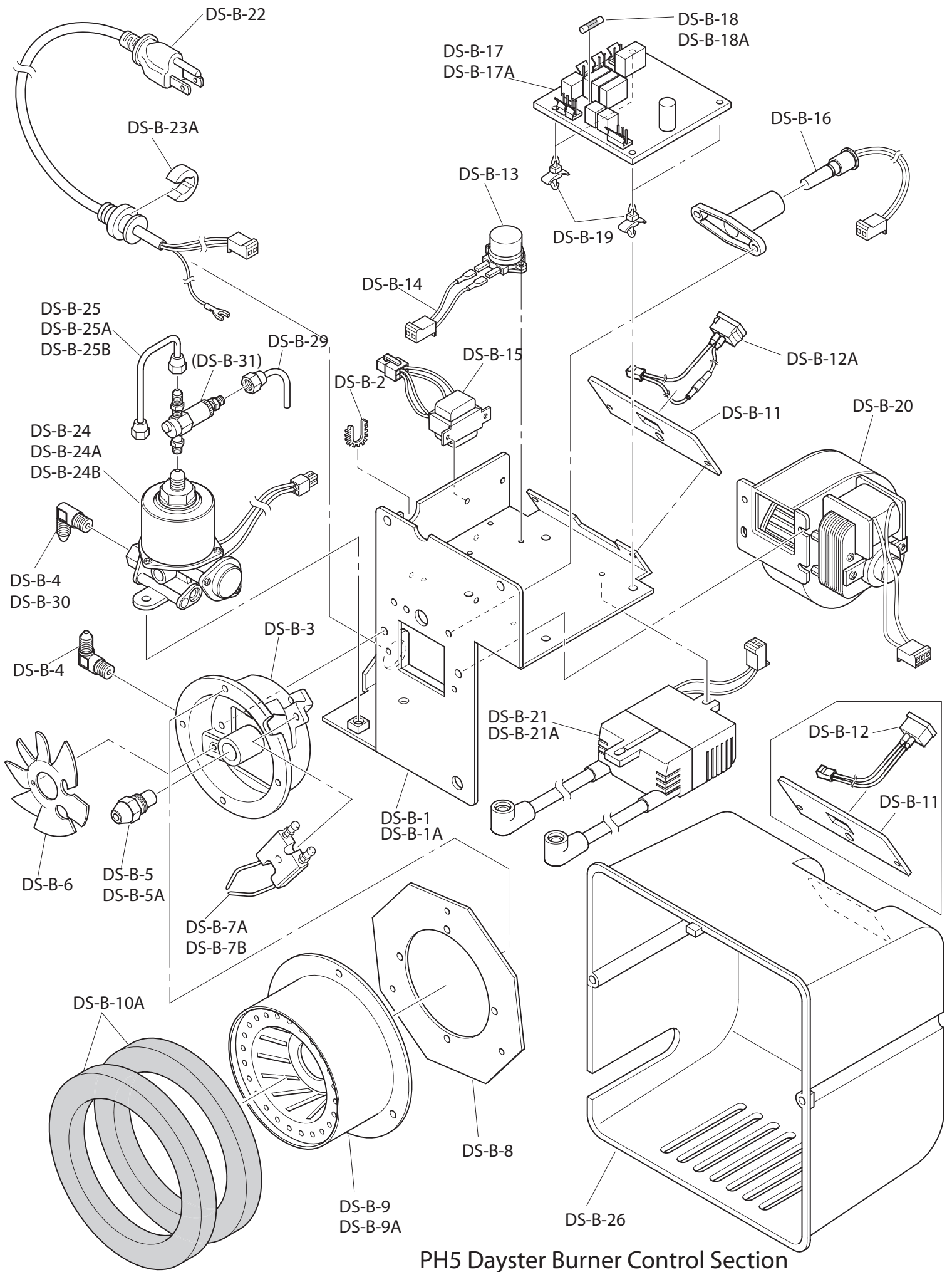


PH5 Dayster Radiation/ Combustion Chamber Section



PH5 Dayster Tank / FlameSection





PH5 Dayster Burner Control Section